

IT-4715 Fixed Mount 2D Imager

The IT-4715 is a product designed for use in OEM products or environments needing a small, fixed position bar code scanner to read linear, stacked linear and/or 2D/Matrix barcodes. With omni-directional scanning, no moving parts, no safety labeling requirements, and additional non-barcode functionality, the IT-4715 is perfect for clinical and diagnostic applications, kiosk applications, age verification, gas pumps, and cash register type terminals.

Multi-Functional

More than just a bar code scanner, the IT-4715 provides image capture functions that can be used for a wide range of applications such as image / shape recognition, signature capture, image capture, and Optical Character Recognition.

Buy It Once

Powered by Adaptus™ 2D Imaging Technology, the IT-4715 is futureproof. This means that, in addition to providing industry leading performance on existing linear, stacked linear, and 2D/Matrix bar codes, the IT-4715 has the technology required to read barcodes that *aren't even invented yet*. With the IT-4715 you will have the peace of mind knowing that you installed a product that eliminates the need to purchase new product in the future.

Setup Is Easy

With no external decoders or illumination required, the IT-4715 is all the hardware you need. The IT-4715 communicates USB or RS-232 protocol via detachable interface cables.

Programming the IT-4715 is easy and can be done through a PC program, Serial Commands, Bar Code Programming Manual, or by a single Configuration Bar Code that contains all your settings.

Unmatched Support

Recognizing that every install has specific requirements, ADES offers both customization and integration services for the IT-4715.



>> Features & Benefits

Powered by Adaptus™

Industry leading scanning and decoding technology automatically scans and discriminates current and future popular barcode types.

Omni-directional Scanning/Decoding

True 360 Degree Scanning and Decoding eliminates user training issues and enables the use of efficient Matrix bar codes.

No Moving Parts

Solid-state electronics means that there are no moving parts to break, come out of alignment, or wear.

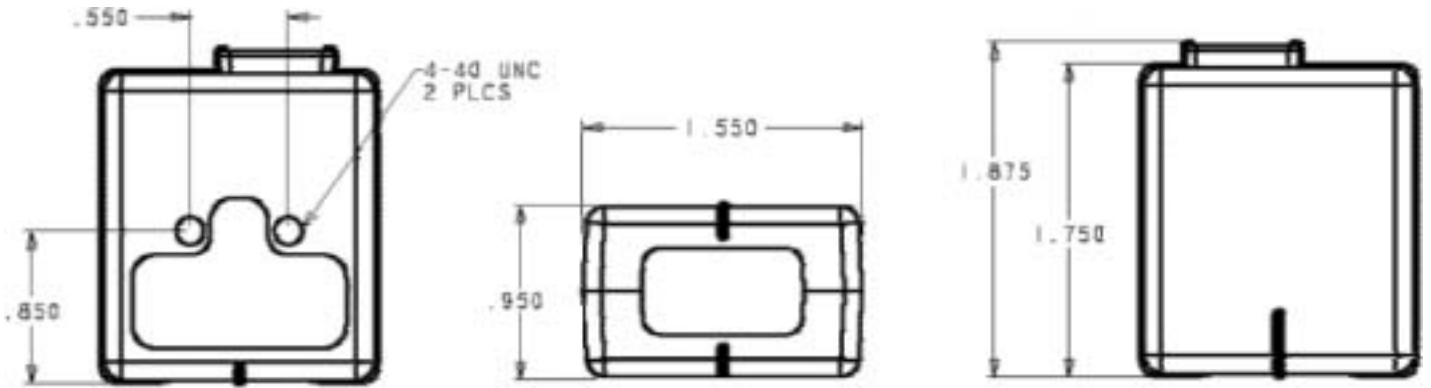
LED Based Illumination

Safe illumination source doesn't require safety or warning labels to be placed on the outside of customers product.

Small Form Factor

Makes mounting and integration easy.

Product Specifications



Masse in Inch

>> Scanning

- Scans & Decodes Most Popular Bar Code Symbols:
 - Linear: Code 39, Code 128, UPC, Interleaved 2 of 5
 - Stacked Linear: PDF417
 - Matrix: Aztec, Data Matrix, Maxicode
- Red LED Illumination
- Green LED Aiming Line
- Captures 8-Bit Grayscale image



>> Electrical

- Communications:
 - RS-232 up to 115.2K baud
 - USB (Keyboard or COMM Port)
- I/O: 5VDC Trigger Input
- Power Supply: 5VDC Input
- Peak Current: 250mA (note: can be reduce depending on configuration and settings)

>> Environmental

- Operating Temperature: 32° F to 122° F (0° to 50°C)
- Relative Humidity: 95% RH non-condensing, at +50°C

>> Accessories

- Interface Cables (RS-232 and USB)
- Custom Mounting Brackets
- Custom Housing Colors and Artwork
- IP 54 Housing/Cable (Call for availability)
- Other Customization and integration services

All specifications subject to change without notice.

>> Contact Information

For more information about the IT-4715, custom services, or other products that ADES offers, contact:

ADES
Ruchstuckstrasse 12
8306 Brüttisellen

Phone: **+41 44 835 20 60**
www.adès.ch